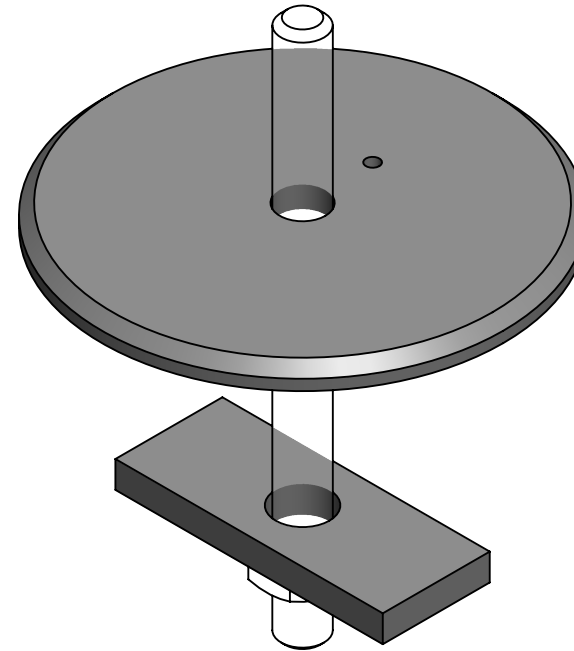
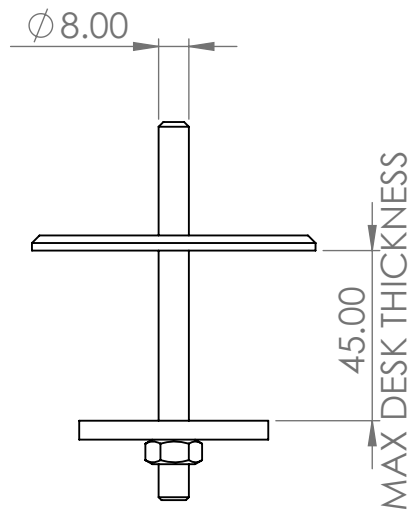
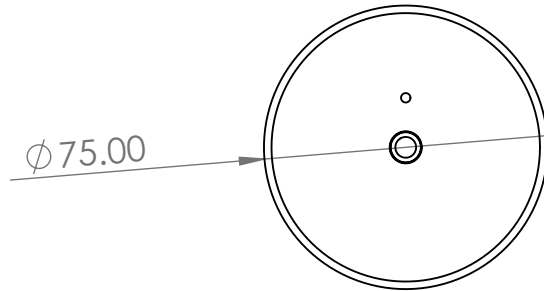


# GROMMET CLAMP SPECIFICATION



10 MM DIA HOLE  
TO BE DRILLED ON THE  
DESK SURFACE TO INSTALL  
GROMMET CLAMP.

FOR HIGHER DESK THICKNESS THAN 45 MM  
PLEASE CONTACT US.